

CIR-03 Infrared Extender Box and CIR-12 Infrared Repeater

Operation Manual

CIR-03 & CIR-12

Revision History

| <i>Version No</i> | <i>Date</i> | <i>Summary of Change</i> |
|--------------------------|------------------------|-----------------------------------|
| <i>V1</i> | <i>20081113</i> | <i>Preliminary Release</i> |

Precaution

Failure to follow the precautions described below may cause damage to Infrared Extender and Repeater Box and void the warranty.

- DO NOT open the case. Doing so will void the warranty. If you find problem with it, please return back to your retailer or seller who will assist you or provide you with solution.
- DO NOT use third-Party AC adapter or power cord. Doing so may damage Infrared Extender and Repeater Box.
- DO NOT bump, jar or drop contents of the products as it may damage it and result in warranty void.
- DO NOT set any liquids or beverages on the drive as they may damage Infrared Extender and Repeater Box.

Table of Contents

| | |
|---|----------|
| 1. Introduction..... | 1 |
| 2. Application..... | 1 |
| 3. Contents..... | 1 |
| 4. System Require..... | 1 |
| 5. Features..... | 1 |
| 6. Operation Controls and Functions..... | 2 |
| 6.1 Front Panel | 2 |
| 6.2 Rear Panel | 2 |
| 7. Connection and Installation..... | 3 |
| 8. Specification..... | 4 |

1. Introduction

IR Extender and Repeater Box is a perfect pair device for controlling source equipments in long distanced. Through build-in IR receiver and CAT5 cable user are able to control up to five source equipments in the same time and in 250 meters long with existing remote controls. There is no space limitation with the device which means even when the source equipment is in a different room or different levels from the displayer, the performance stay the same. IR extender and repeater allow user to control and display the desire source instantly.

2. Application

- Hyper market displayer display.
- Show window displayer display.
- Lecture room display.
- Home or individual display.

3. Contents

- Infrared Extender Box (CIR-03)
- Infrared Repeater Box (CIR-12)
- 1pc IR Eye Receiver cable (CIR-12)
- 5pcs IR Eye blaster cables (3pcs for CIR-03, 2pcs for CIR-12)
- 1pcs 5V DC power supply adaptor
- Operation Manual

4. System Require

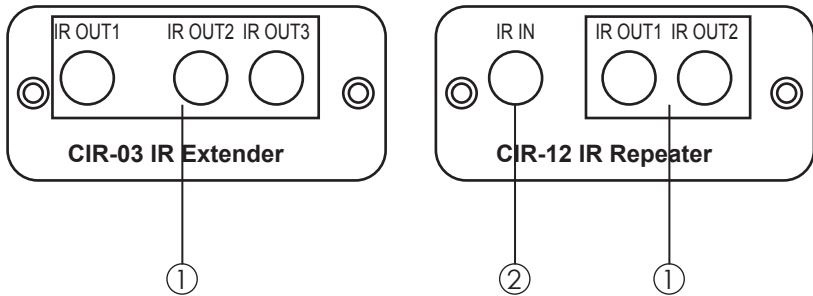
Input source equipments, output displayer connect with source equipments and CAT 5 cable.

5. Features

- Support five(5) output (3 from CIR-03, 2 from CIR-12).
- Control source equipments anywhere within 250 meters, even through walls and ceilings.
- Send No audio/video, but just infrared signals.
- Using existing remote controls.
- One IR Receiver only.
- IR Receiver's frequency is at 20~60 KHz.

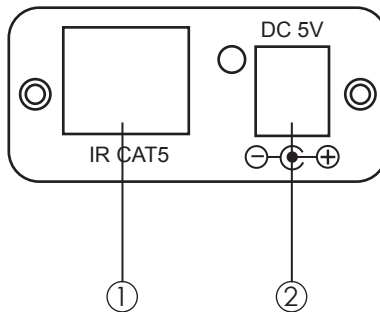
6. Operation Controls and Functions

6.1 Front Panel



- ① IR OUT1, 2 and 3: Connect your IR Eye Blaster cables each at 2M long to control source equipments.
- ② IR IN: Connect to IR Eye receiver cable (2M long) for receiving IR remote control signal.

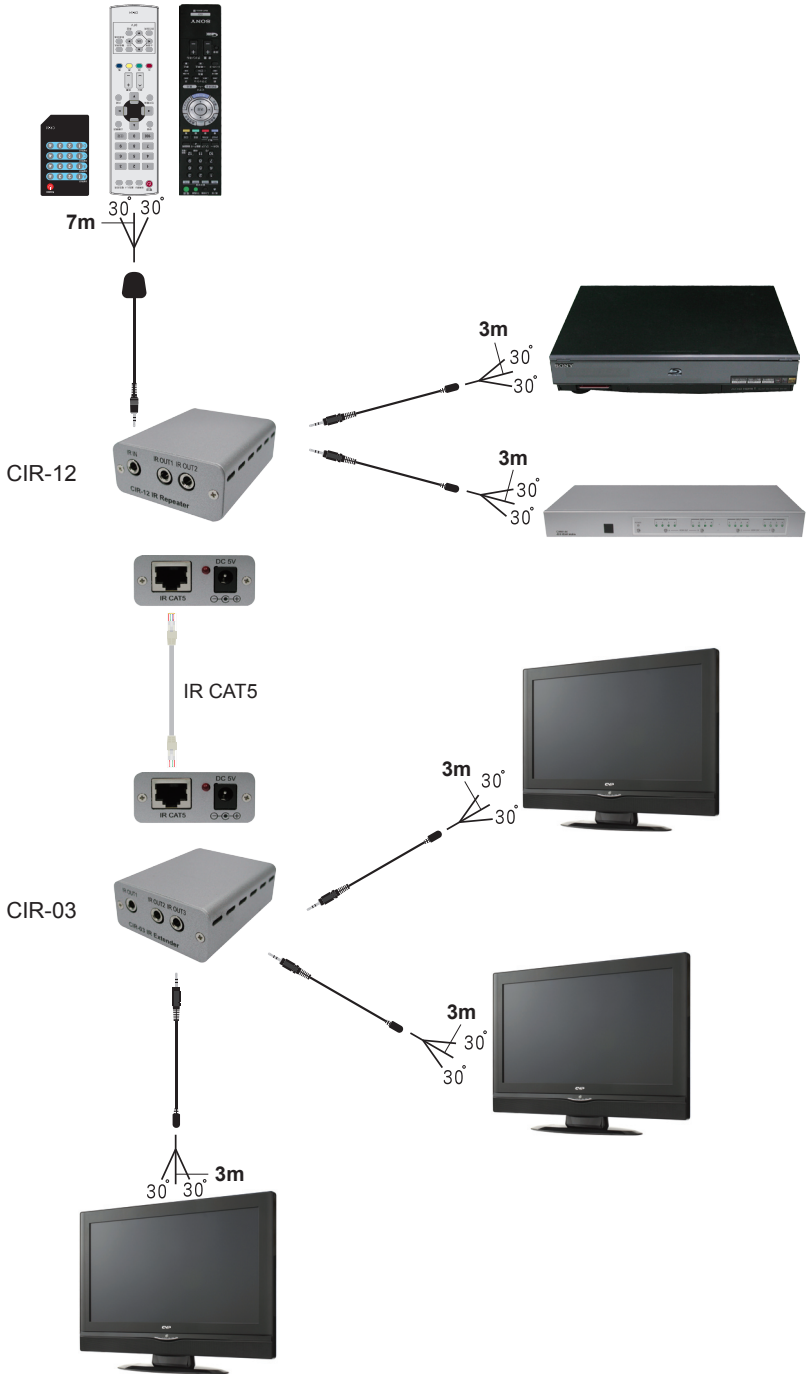
6.2 Rear Panel



- ① IR CAT5: Connect CAT 5 cable to next Infrared Extender Box with IR receiver.
- ② Power: Plug the 5VDC power supply into the unit and connect the adaptor to AC wall outlet.

Note: Only a power adapter is needed, Connect the power adapter on either CIR-03 or CIR-12.

7. Connection and Installation



Note: A. IR receiver's control distance can go up to 7 meters long with open space and direct angle.

B. IR extender's Control distance can go up to 3 meters with open space and direct angle.

8. Specifications

| | |
|-----------------------|---|
| Input Port | 1 x IR receiver |
| Output ports | 1 x CAT5 (CIR-03, CIR-12) 5 x IR extender (3 x CIR-03, 2 x CIR-12) |
| Power Supply | 1 x 5V/500mA DC (US/EU standards, CE/FCC/UL certified for CIR-12.) |
| Dimensions (mm) | 62(W) x 50(D) x 23(H) |
| Weight(g) | 78 |
| Chassis Material | Aluminum |
| Silk Skin Color | Silver |
| Operating Temperature | Operating from 0°C ~ 40°C |
| Power Consumption | 0.5w |