

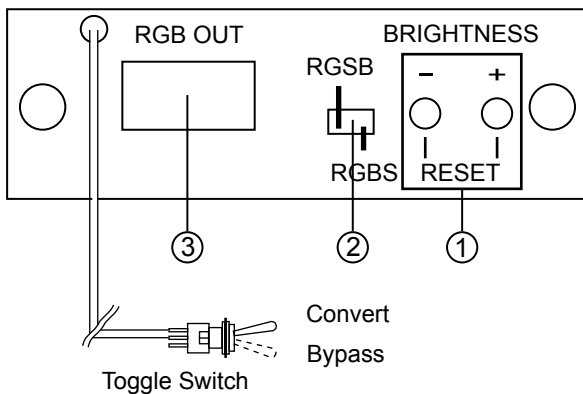
Video to RGB/Sync Converter

Features:

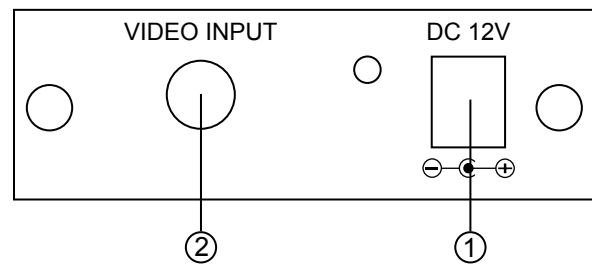
1. Digital decoding and encoding ensures best conversion quality.
2. Converts NTSC/PAL/SECAM composite video to RGB/Sync or RGSB(Sync on Green).
3. Input system auto detecting.
4. RGSB input loop through.
5. Sync polarity switchable between positive and negative.
6. Output brightness adjustable.

Operation Controls and Functions:

Front Panel



Rear Panel



1. **DC power supply input:**
DC 12V center positive.
2. **Video Input.**

1. **+ and - Buttons:** Use these two buttons to increase or decrease the brightness.
Reset: Simultaneously depressing the + and - buttons return brightness to factory default.
2. **RGBs/RGSB Switch:** To select between RGSB(sync on Green) or RGBs.
3. **9-Pin D Females connector:**
 RGB out: DB9 Pin configuration
 Gray: PIN 1 — GND
 Brown: PIN 2 — Sync of source 1
 Red: PIN 3 — RED out
 Yellow: PIN 4 — RED in from source 1
 Green: PIN 5 — Green in from source 1
 Blue: PIN 6 — Green out
 Purple: PIN 7 — Blue out
 Orange: PIN 8 — Blue in from source 1
 Black: PIN 9 — Sync out
 Source 1: Loop-through RGB/S input.
 Source 2: Video input.
4. **Toggle switch to switch between convert and RGB bypass.**

Specifications:

Input:

Video input: 1 Vp-p 75 ohm RCA jack x 1
 RGBs input: Pass through

Output:

RGB: 0.7 Vp-p 75 ohm
 9-pin D Females connector.
 Sync: 3 Vp-p positive or Negative polarity

Power Supply: DC 12V center positive

Dimensions: 94mm(D)x77mm(W)x30(H)mm

Accessory: One set of D-Sub 9-pin RGB bare wire and One set of 2-wire power

Weight: 0.4 Kgs

JP2

Output	Select
Open	Convert
Short	Bypass