

Component over CAT5 Transmitter

Operation Manual



CA-COMPAT

TABLE OF CONTENTS

1. Introduction	3
2. Features	3
3. Package Contents	3
4. Operation Controls and Functions	4
4.1 Front Panel	4
4.2 Rear Panel	5
5. Specifications	6

1. Introduction

CA-COMPAT is the transmitter (Tx) unit of Component over CAT5 solution, depends on the type of receiver (Rx) unit used. CA-COMPAT can extend Component signal through CAT-5 cables for a distance up to 50/100 meters. The installation of Component over CAT5 is easy and quick, simply place CA-COMPAT next to your display, and get all necessary cables connected to complete and enjoy.

2. Features

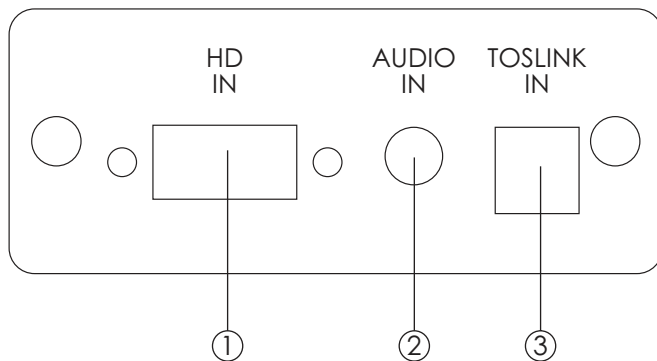
- Supports HD/YCbCr/YPbPr format input.
- Supports CAT-5/CAT-5E/CAT-6 cable.
- Supports high definition (HD) input source up to 1080P.
- Easy to install and simple to operate.

3. Package Contents

- CA-COMPAT – PC over CAT5 transmitter.
- 5V/1A DC power supply adaptor.
- Operation Manual.

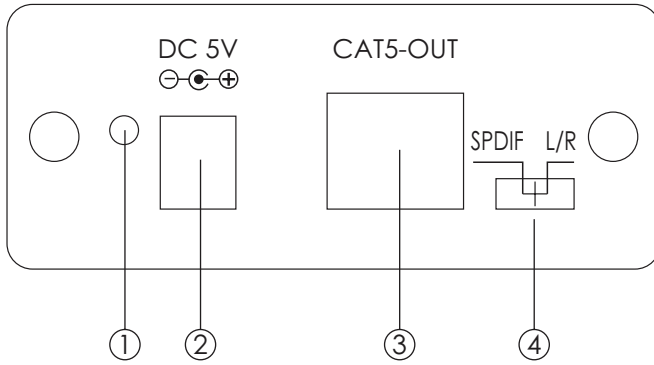
4. Operation Controls and Functions

4.1 Front Panel



1. HD input: Connected the HDMI input port to the HDMI output of your source equipment.
2. Audio input: Connected external audio source.
3. Toslink input: Connected external SPDIF audio source.

4.2 Rear Panel



1. Power ON/OFF indicator.
2. DC 5V/1A: Power input.
3. CAT5-Out: Connected the video output to the video input of the CAT5 receiver unit using CAT-5 cable.
4. SPDIF/L/R switcher: Select output audio source (SPDIF or L/R).

5. Specifications

Supported resolutions	HD: up to 1080p
Input audio source ports	Audio L/R and Toslink/SPDIF
Output video source port	CAT-5
Power Supply	5V/1A DC (US/EU standards, CE/FCC/UL certified)
Dimensions (mm)	99.5(W) x 79.5(D) x 32.5(H)
Weight(g)	200
Chassis Material	Metal
Silk Skin Color	Black/Silver
Operating Temperature	Operating from 0°C ~ 48°C

Component over CAT5 series:

Product	Description
CA-COMPAT	Component over CAT5 Transmitter
CA-HDMI 50R	Component over CAT5 Receiver at 50 meters
CA-HDMI 100R	Component over CAT5 Receiver at 100 meters